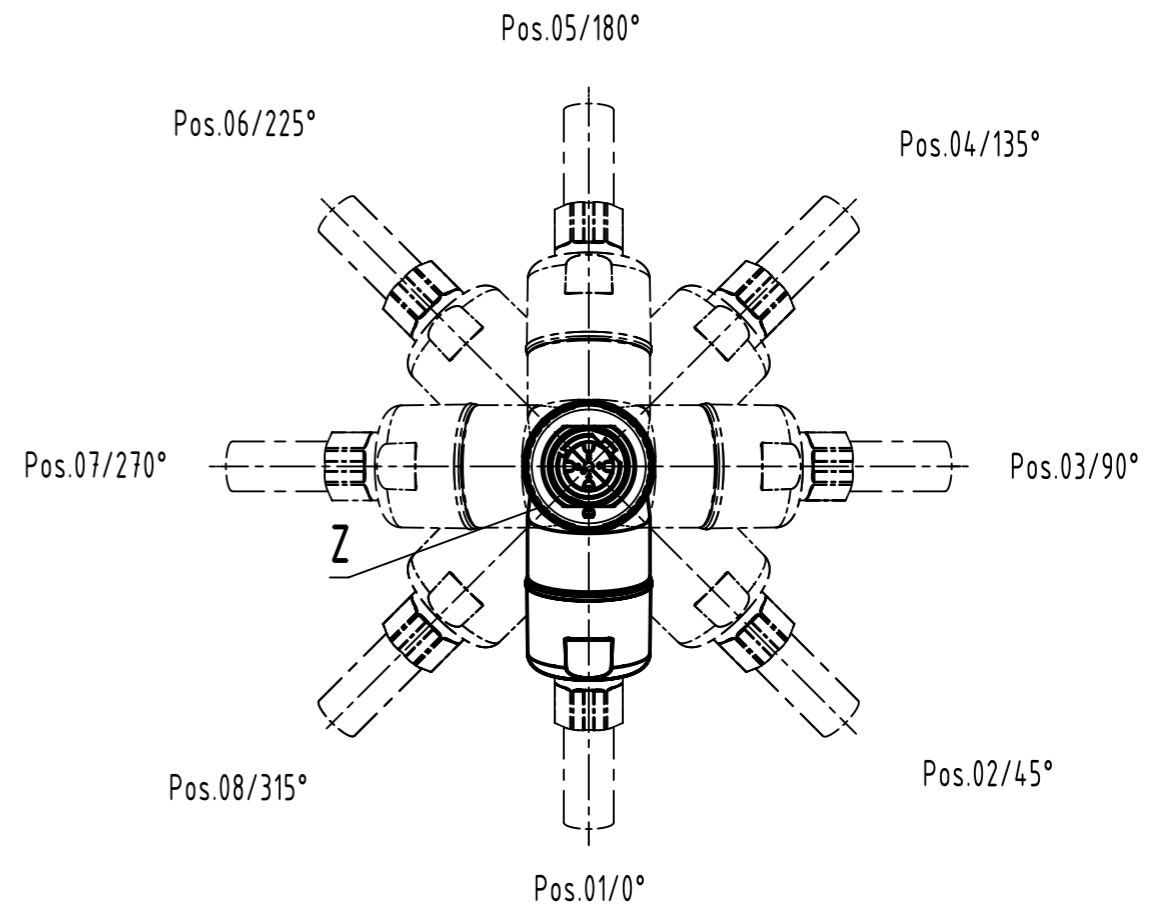
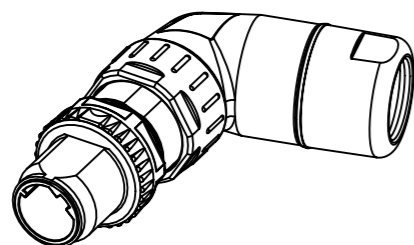
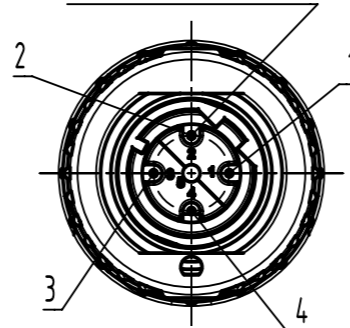


Z (2:1)
contact face acc. to
IEC 61076-2-101



order contacts separately

wire gauge	part-no contact
AWG 22-18	09 67 000 3576
AWG 24-20	09 67 000 8576
AWG 26-22	09 67 000 5576

	All rights reserved Department EL PD	All Dimensions in mm Original Size DIN A3	Scale 1:1	Free size tol.	Ref. Sub.
		Created by 406403	Inspected by FARCASIU	Standardisation ROEBEN	Date 2022-11-29
HARTING D-32339 Espelkamp		Title M12-SD-CC-CRIMP-4P-DCOD-M-ANG-CF			Doc-Key / ECM-Nr. 100761378/UGD/002/H 50000231199
		Type TB	Number 21038813407		Rev. H
					Page 1/1